

# Solar Pumping Inverter- Three Phase

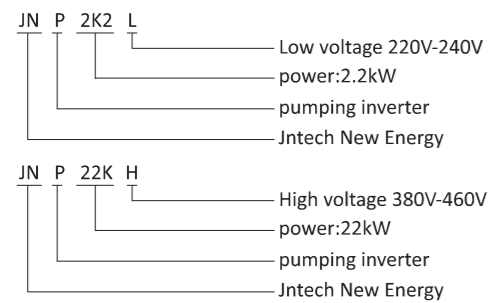


## Technical Parameters

Model	JNP1K1L	JNP1K5L	JNP2K2L	JNP3KL	JNP3K7L	JNP4KL	JNP2K2H	JNP3KH	JNP3K7H	JNP4KH	JNP5K5H	JNP7K5H
<b>d.c. Input</b>												
d.c. Max. Input Voltage	440Vdc					750Vdc	880Vdc					
Recommended MPPT Voltage	150~400Vdc					280~600Vdc	460~850Vdc					
d.c. Max. Input Current	8A	10A	14.6A	21A	24.6A	15A	5A	6.9A	9A	9A	12A	16.3A
Max. MPPT Efficiency	99%											
Number of String	1	1	2	2	2	2	2	2	2	2	2	3
<b>a.c. Output</b>												
Max. Applicable Motor Output Power	1.1kW	1.5kW	2.2kW	3kW	3.7kW	4kW	2.2kW	3kW	3.7kW	4kW	5.5kW	7.5kW
Rated Output Voltage	220~240Vac,three phase						380~460Vac,three phase					
Output Frequency Range	0~50/60Hz											
Rated Output Current	5.5A	7A	11A	14A	17A	20A	6A	7A	9A	10A	13A	18A
<b>Other Parameters</b>												
Weight	9.5kg	9.5kg	9.5kg	14.5kg	14.5kg	13.9kg	13.9kg	13.9kg	13.9kg	13.9kg	13.9kg	13.9kg
Dimension(L*W*H)	350*278*179mm			420*310*211mm			420*310*229mm					
Max. Efficiency	97%	97%	97%	97%	97%	97%	96%	97%	98%	98%	98%	98%
Protection Class	I											
Protection Level	IP65											
Operating Temperature	-25 C~+60 C ; above 60 C need derate operating											
Cooling Way	Natural Cooling											
Display	LCD											
Communication	RS485/GPRS											
Altitude	3000m;above 3000m need derate operating											
Noise Emission	< 50dB											
Compliance	EN50178;IEC/EN62109-1;IEC 61800											

Model	JNP11KH	JNP15KH	JNP18K5H	JNP22KH	JNP30KH	JNP37KH	JNP45KH	JNP55KH	
<b>d.c. Input</b>									
d.c. Max. Input Voltage	880Vdc								
Recommended MPPT Voltage	460~850Vdc								
d.c. Max. Input Current	24.4A	33.3A	41.1A	49A	67A	82A	100A	122A	
Max. MPPT Efficiency	99%								
Number of String	3	3	3	1	1	1	1	1	
<b>a.c. Output</b>									
Max. Applicable Motor Output Power	11kW	15kW	18.5kW	22kW	30kW	37kW	45kW	55kW	
Rated Output Voltage	380~460Vac,three phase								
Output Frequency Range	0~50/60Hz								
Rated Output Current	21A	29A	36A	42A	57A	71A	86A	104A	
<b>Other Parameters</b>									
Weight	19.9kg	19.9kg	19.9kg	31.5kg	31.5kg	31.5kg	32.5kg	32.5kg	
Dimension(L*W*H)	360*500*176mm				460*580*251mm				
Max. Efficiency	98%								
Protection Class	I								
Protection Level	IP65								
Operating Temperature	-25 C~+60 C ; above 60 C need derate operating								
Cooling Way	Force Cooling								
Display	LCD								
Communication	RS485/GPRS								
Altitude	3000m;above 3000m need derate operating								
Noise Emission	< 50dB								
Compliance	EN50178;IEC/EN62109-1;IEC 61800								

### Definition of model



### Product Features

- Drive power-matched three-phase AC pump.
- Adopt advanced IGBT power module.
- High conversion efficiency, low temperature rise, low noise, long lifespan.
- Advanced MPPT technology, efficiency > 99%.
- Fully automatic operation, it can store operation date for 10 years.
- Perfect system protection, high reliability.
- New design of anodized aluminum case.
- LCD display.
- Interface: RS485/GPRS.
- Modular design, easy to install, operate, maintain.